



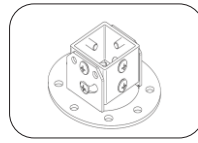
SKYHOOK MANUAL

DIRECT TO CEILING AND ADJUSTABLE POST

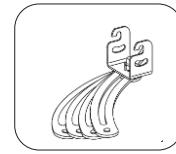


Unpacking the Skyhook Direct to Ceiling

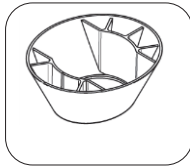
Parts supplied



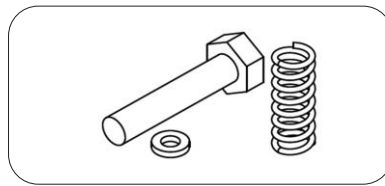
Ceiling mount
Assembly



Projector mounting Assembly
(Extended U-Hook and Arms)



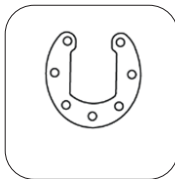
Ceiling Trim



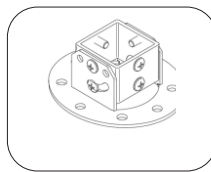
Assorted mounting screws
springs and washers

Unpacking the Skyhook Adjustable Post Mount

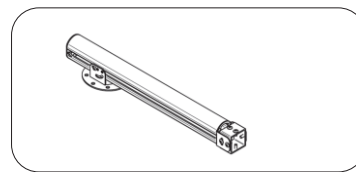
Parts supplied



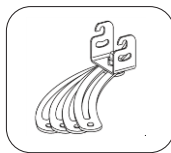
Slab Ring



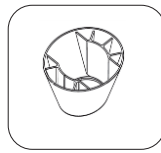
Ceiling mount
Assembly



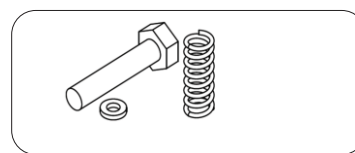
Adjustable Post Assembly



Projector mounting
Assembly (Extended
U-Hook and Arms)



Ceiling Trim



Assorted mounting screws
springs and washers

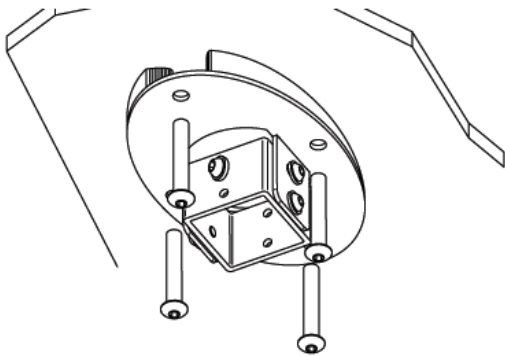
Read before assembly or installation

Please consult your Projector's User manual or manufacturer's website for information on positioning your projector.

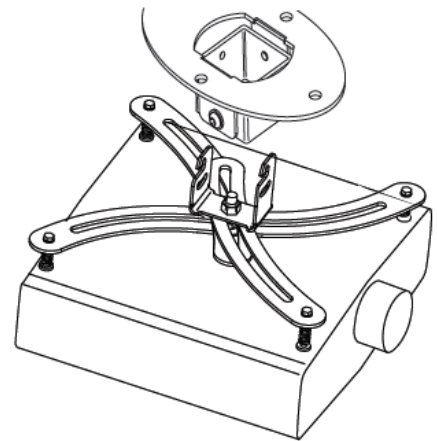
If you are unsure about installing this product or the setup of your projector we recommend installation by a professional AV installer.

The Skyhook Direct to Ceiling and Adjustable Post are packaged partially assembled. Some disassembly and re-assembly is required to install these products.

Installing the Direct to Ceiling Mount to the ceiling



Secure the ceiling mount assembly to the ceiling; A Slab Ring is provided if mounting a Skyhook to a concrete slab or ceiling. It allows cables to enter the mount and is spaced between the ceiling and the mount plate before fixing.



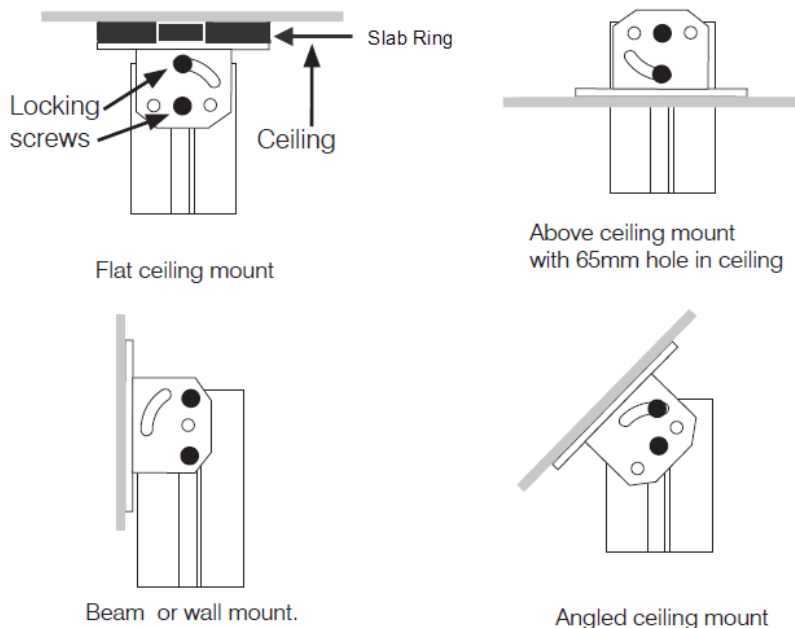
The Extended U-Hook, at the lower part of the assembly allows cable clearance

Attaching the Skyhook Post assembly to the ceiling

The Skyhook Post can be set to suit different ceiling angles.

Remove the ceiling plate from the post before attaching the plate to the ceiling.

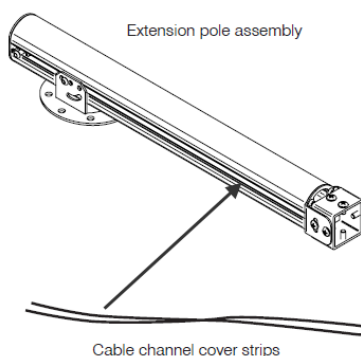
A Slab Ring is provided if mounting a Skyhook to a concrete slab or ceiling. It allows cables to enter the ceiling and is spaced between the ceiling and the mount plate before fixing.



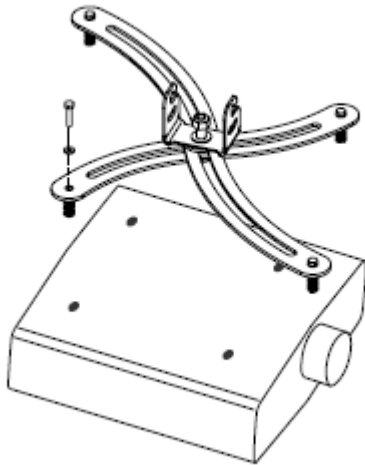
Re-assemble the post and hang the Skyhook at the desired angle.

Feed cables through the Skyhook post. Thin cables may be passed through the two side channels. It is recommended that the power and AV cables be separated to avoid interference.

Fit Cover Strips to complete the assembly



Attach the Projector to the Skyhook (Arms).



Loosen the centre nut of the Projector mounting assembly and spread the mounting arms.

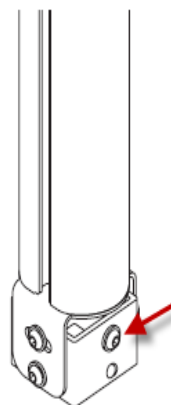
Mount the inverted projector to the arms using the set screws, washers and springs provided.

Adjust the arms and locate the Extended U-hook into the centre of the projector; tighten the bolt and set screws to secure the projector.

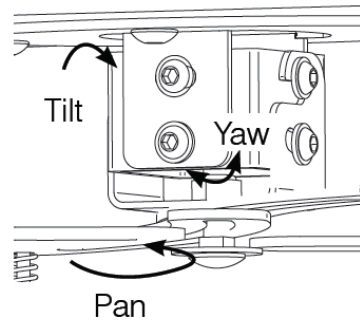
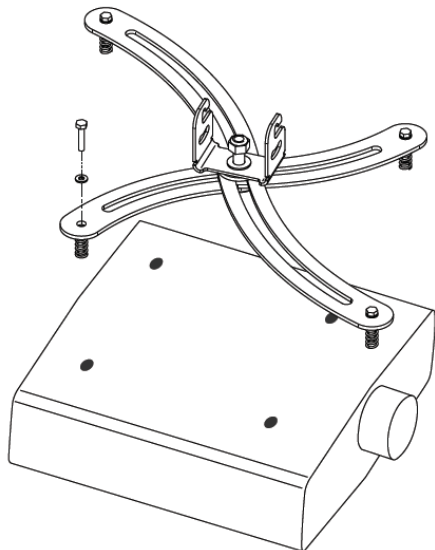
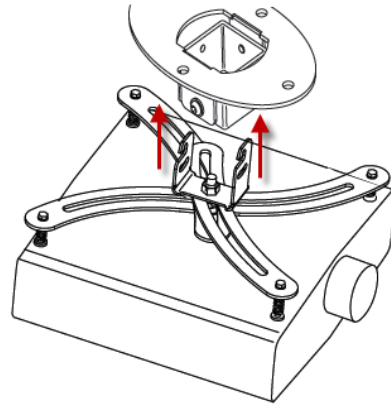
Note: Do not over tighten the set screws. If your projector has only three mounting points remove and discard one arm. Reposition the U-hook to the centre of the projector.

On both sides of the square knuckle, loosen the top screw. Remove, but retain the second lower adjustment screw.

Hang the projector assembly U-hook over the top screw and reinsert the lower adjustment screw.



Align the projector by partially loosening screws; then adjust the pan, tilt and yaw before tightening screws once more

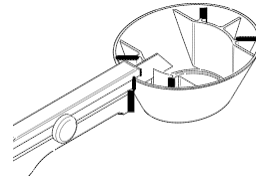


Fitting the Ceiling Trim

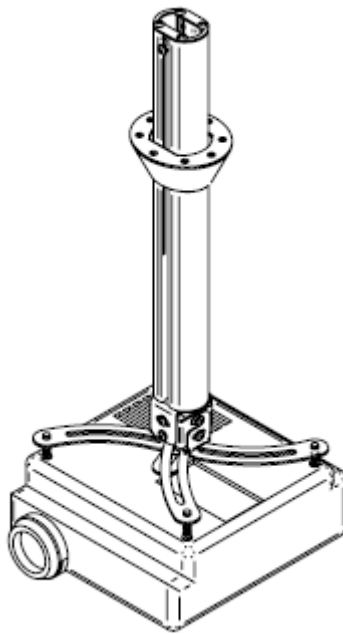
Skyhook Direct to Ceiling Mount

Cut the Ceiling trim through the end of the trim where the internal web is missing.

Open up the trim into a "C" shape and place around the Direct to Ceiling mount.



Skyhook Adjustable Mount



Use the trim on a Skyhook Adjustable post, by sliding the trim down or along the tube to gain access to fixing and adjustment screws. It is only suitable for flat ceilings and above ceiling mounts.

- Information in this document is subject to change without notice.
- This document is protected against unauthorised copying electronic or otherwise.